



Comestero Sistemi S.R.L.

Add: Via Bolzano 1E, 20871 Vimercate (MB), Italy

Tel: +39 0396250900

Web: www.comesterosistemi.com

Product Specification

Item No.: ELED-5-2835-120-12V-6250K

Series: LED Flexible Strips Series

Confirmation	Approval	Audit	Date	Version
			2023/3/10	1.2

Features

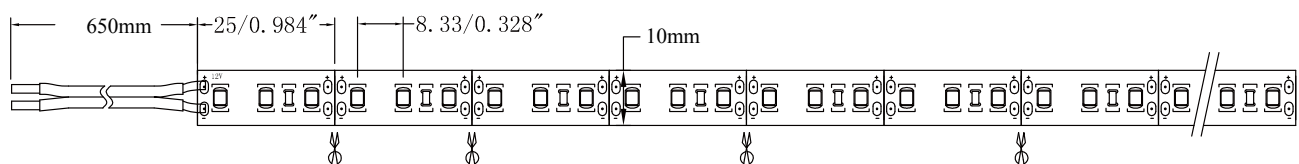
- 1. 2835 assembled LEDs.
- 2. 10mm width PCB board.
- 3. CRI80.
- 4. Can be cut to meet requirements of different length.
- 5. CE, ROHS, High efficient 2835 single color strips.
- 6. Comestero Production product.

Picture



Dimensions

Unit: mm/inch



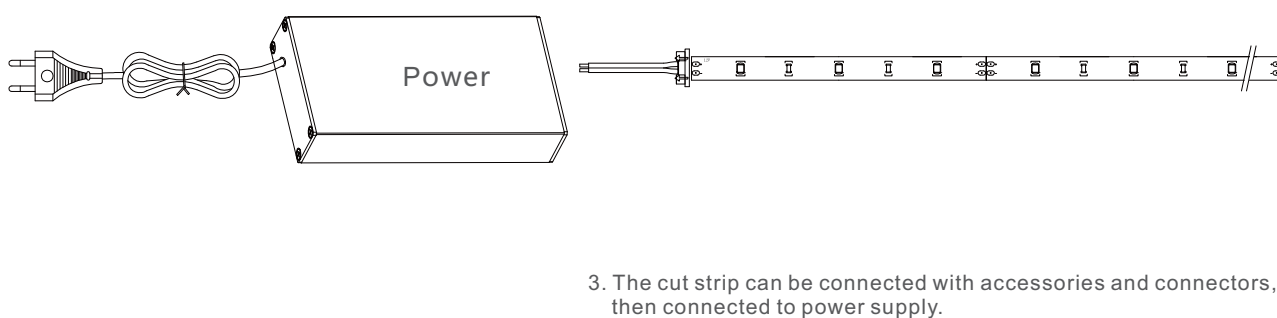
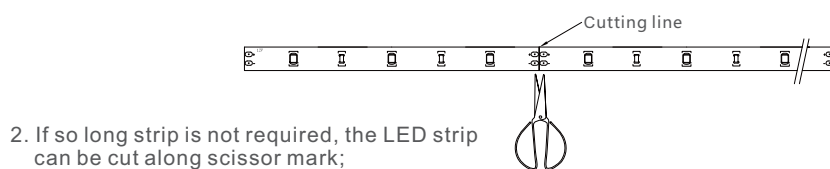
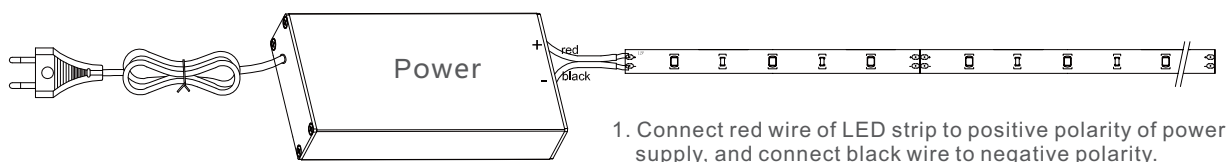
Specifications

Item NO.	ELED-5-2835-120-12V-6250K
Light Source	SMD2835

LED Qty	120LEDs/m
Input Voltage	12VDC
PCB	10mm Flexible PCB board
CRI	CRI 80+
Lumen/LED	22-24Lm/LED
Power	12W/m
CCT	Cool White 6250K
Brightness	1100+Lm/M
Efficiency	92Lm/W
Length	5m/roll
Segement	Per 25mm cuttable
IP grade	IP20 non-waterproof
Lifespan	50,000 H
Working Temperature	-25° C ~ +60° C
Storage Temperature	-40° C ~ +80° C
Warranty	2years

* The above measurements of watts, brightness and efficiency allowance tolerance $\pm 10\%$.

Connecting & Installation Diagram:



Packing Instruction:

