

Product Specification

CS Item No.: ELED-060-T8-220-4000K-T1

Series: Full Plastic LED Tube T8

Confirmation	Approval	Audit	Date	Version
			2023/07/12	1.0

1.0 Product Features

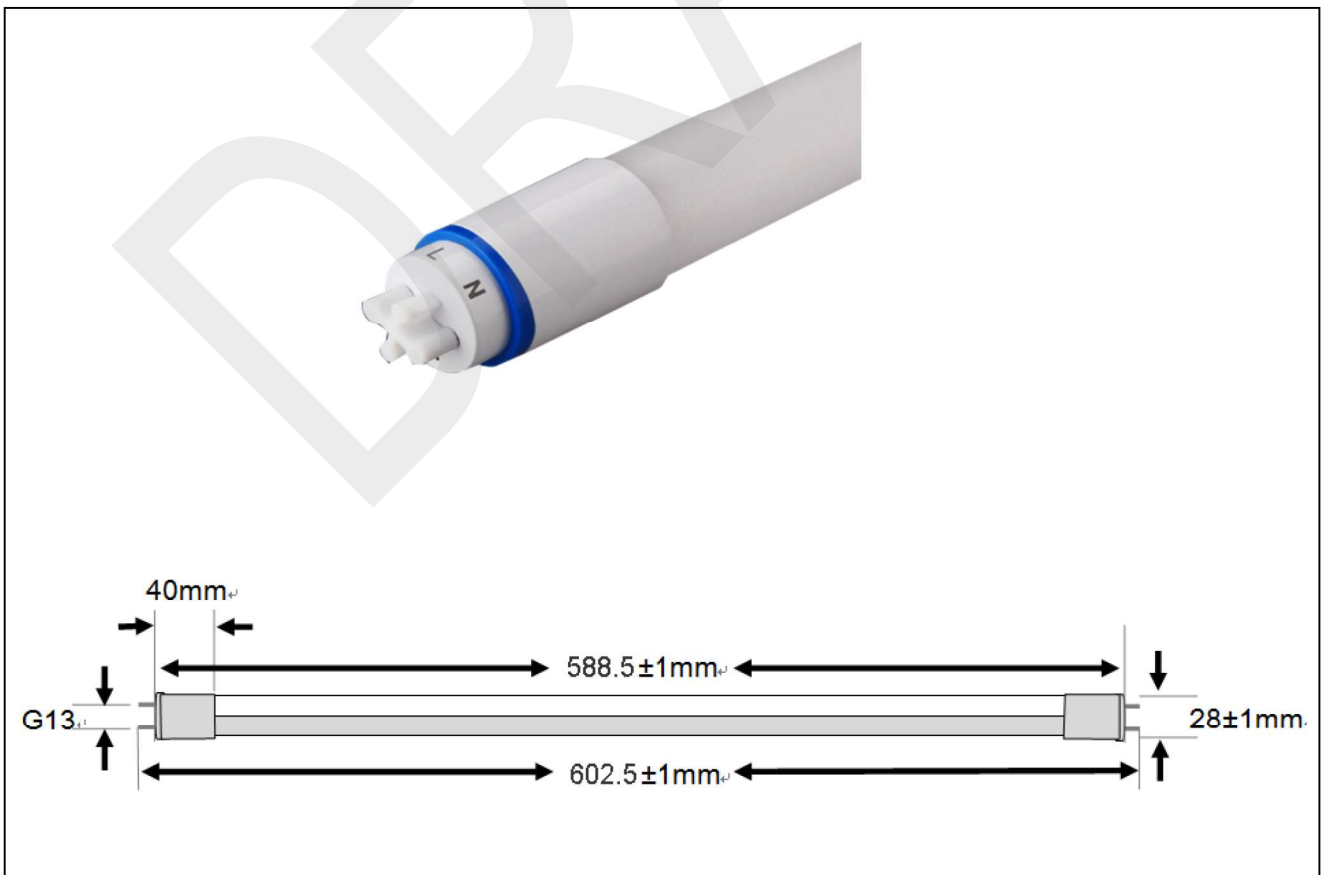
- Electric Features:
1. Wide range of input voltage and frequency.
 2. High power factor and conversion efficiency.
 3. Fast switch response, no delay, no flickering.
- Illumination features:
1. High color rendering index and high output lumens.
 2. No mercury, accord with ROHS standard, 100% recyclable.
 3. 65% energy saved than conventional lamp.
 4. environment friendly.
- Lifespan: Continue working in 30000hours.

2.0 Application Area

Available for factory, office, parking, shopping mall and Hotel lighting etc.

★ In order to provide better service to you, please read the below specification before using led tube light

3.0 Product Image



4.0 Technical Parameters

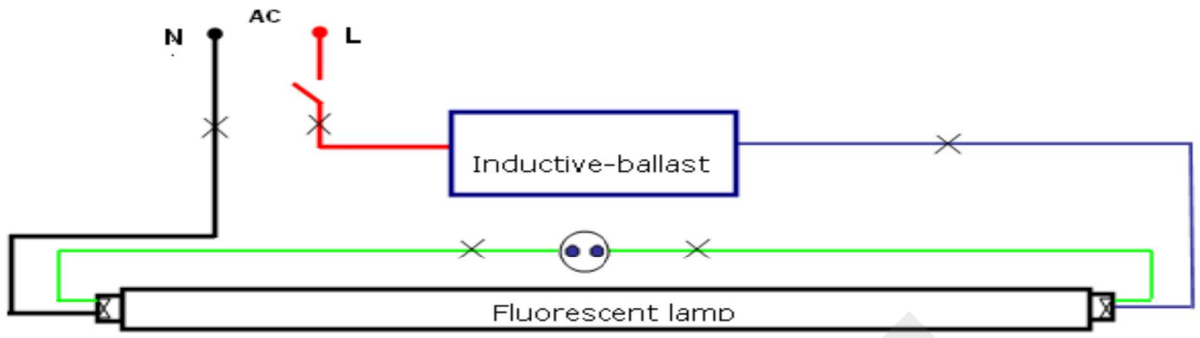
Parameter	Unit	Technical Parameter
Product Model		ELED-060-T8-220-4000K-T1
Dimension	mm	588*29*26
Input Voltage	V	AC100-265
Input Frequency	Hz	50/60Hz
Power Consumption	W	10±10%
Power Factor	PF	>0.92
Driver Efficiency	%	>90
Output Voltage	V	30-80V
Output Current	mA	230-240
LEDS		SMD2835
LEDS Qty	PCS	60
Luminous Flux	Lm	1000-1050
Working Temp	°C	-20~+45
Color Temp	K	4000k
Beam Angle	Degree	270°±5°
Carton Qty	PCS	50
Carton Dimension	cm	125.5*22.5*21.5
Product Net Weight	KG	0.130
Carton Gross Weight	KG	7.8

5.0 LED Tube Installation Steps

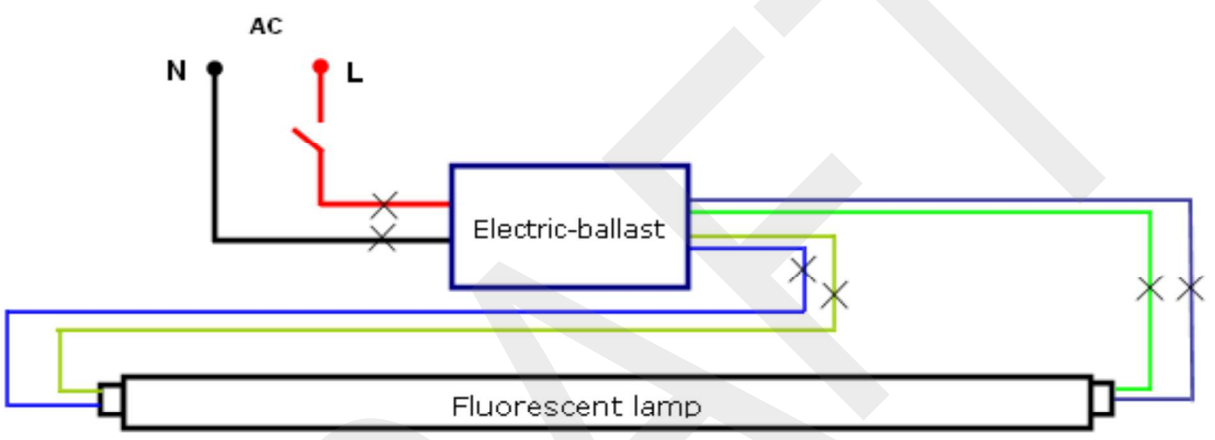
Warning: Switch off power supply BEFORE COMMENCING WORK!

Step1. Remove the fluorescent lamp.

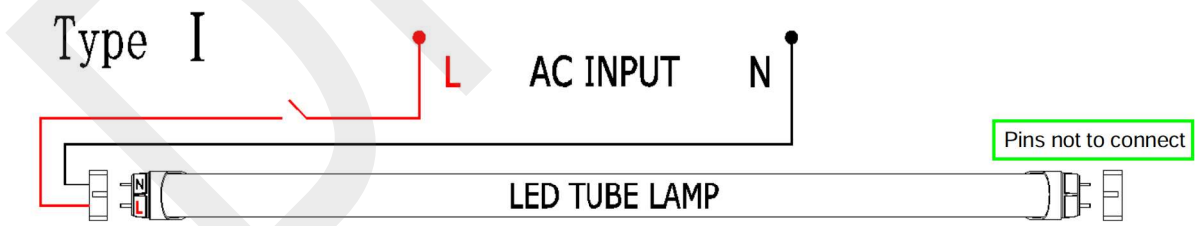
Step2. Cut off all wires which connected to **inductive ballast** or **electrical ballast**.



Or (electrical ballast below)

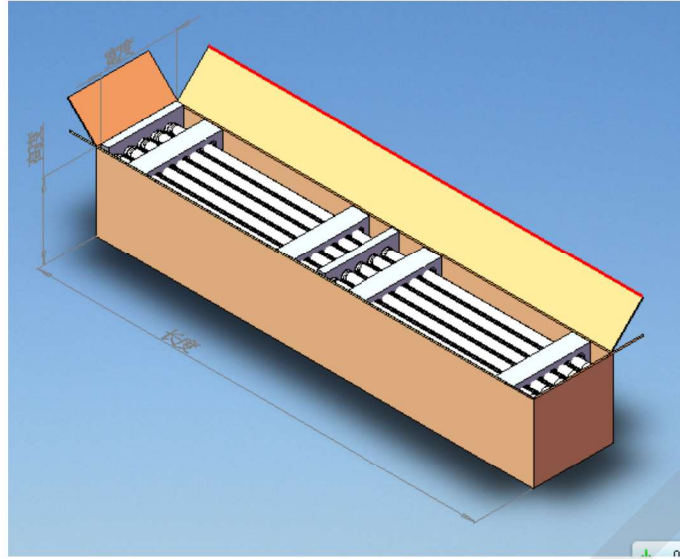


Step3. Install LED tube into lighting fixture with below one (Type I) wiring method refer to the label on the tube.



Step 4. Switch on power.

6.0 Package



7.0 Warning

1. Must install led tubes according to the installation manual, otherwise will incur led tube drop and electric shock.
2. Don't retrofit and change the led tube accessories randomly, avoid break, drop and electric shock accident.
3. Switch off power supply before commencing work.
4. The input voltage of driver must be within the limited range (refer to the above parameter), if beyond input voltage range, will cause damage lamp lifespan.
5. Don't install lamps above the high temperature object, such as stove, coal oven gas and exhaust funnel, in case cause damage.
6. The products are non-dimmable, don't use them with dimmable object together (if need dimmable lamps, pls write clearly when ordering).
7. In order to ensure safe, please ask professional electronic person for check and repair lamp, non-professional person not allow to operate will cause danger.
8. If lamp have any problem, please switch off the power supply quickly and contact with distributor.

8.0 Trouble Clearing

Flashing Problem

1. Checking whether the wire connect with lamp/fixture is good or not?
2. Checking whether the voltage within limited voltage range?

Lamp can't work problem

1. Checking whether the power switch is on?
2. Adjusting led tube and fixture, to ensure them connect good
3. Using multimeter to test two-end of led tube fixture if can use AC230V voltage normally
4. Returning the defective lamps to factory to repair