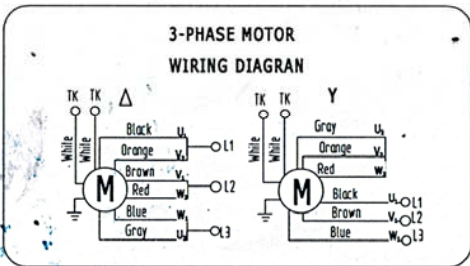
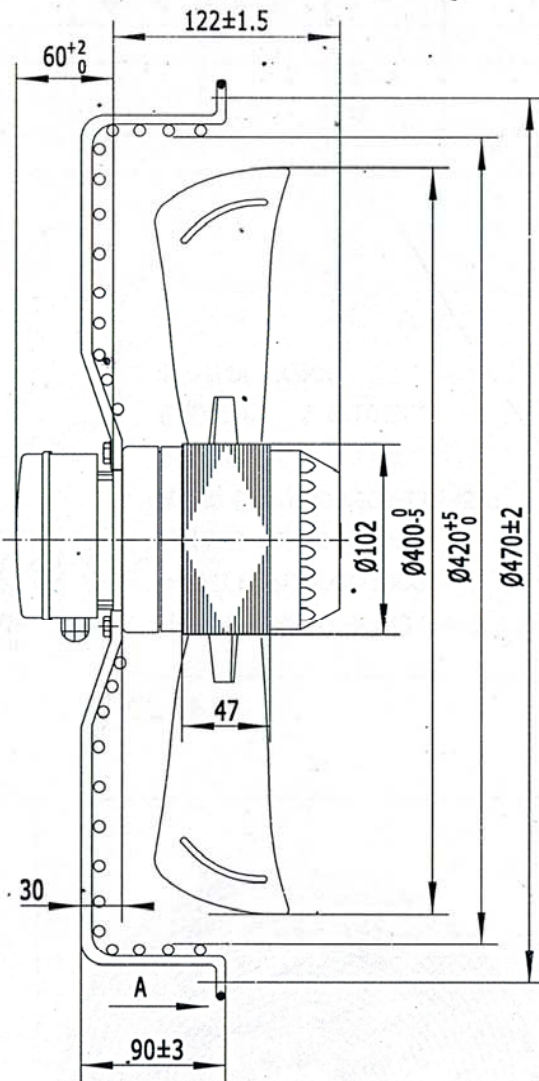


WEIGUANG® Axial fan motor

Wiring diagrams:



sucking
Direction of airflow "S"

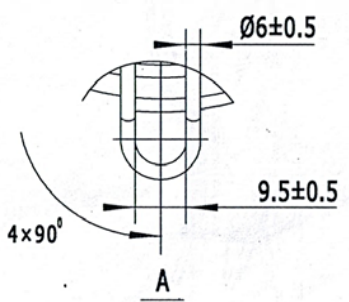


LABEL:

WEIGUANG® Axial Fan Motor
YWF4D-400S
P102/47-G
 (FL-4T400V230/380BOX)

△ 230V 50/60Hz 0.81/0.87A 110/180W 150/250W 1380/1520r/min
 Y 400V 50/60Hz 0.47/0.50A 110/180W 150/250W 1380/1520r/min

CL.B XX/XX



ErP2015 LABEL:

ErP2015 (N40)
 N=44.23 $\eta_{statA}=33.6\%$
 YWF4D-400S-P102/47

HANGZHOU WEIGUANG ELECTRONIC CO.,LTD							
Unit: axial fan motor				Type:			
Motor: Three phases motor				Customer:			
Motor type: YWF4D-400S-P102/47-G				Customer-type: FL-4T400V230/380BOX			

TYPE	Voltage v	Frequency Hz	Input power W	Current A	Speed r/min +/-5%	Air volume m³/h	noise level dBA	capacitor µF/ VDB
YWF4D-400S-P102/47-G	△ 230	50/60	180/250	0.81/0.87	1380/1520	3675(20Pa)	62	-
	Y 400	50/60	180/250	0.47/0.50	1380/1520	3675(20Pa)	62	-

Insulation class : B	Operating type: S ₁
Permissible ambient temperature : -30~60℃	Temperature increase: $\Delta T \leq 75k$
Motor protection:thermocontact 135±5℃	Bearings: ball bearings
	License: CE

Model meanings: **YWF 4D-400 S-P102/47-G**

- Asynchronism axial fan motor
- Motor pole
- Three Phases
- Fans diameter
- Grid
- The thickness of laminated core
- The diameter of the rotor
- ErP 2015
- Direction of airflow

Electrical connection:lead wire Silikon 7G 0.50mm²+2G 0.30mm², Length 100mm in terminal box connected
 Direction: clockwise(Sucking), looking into the end-shield



APPROX. WEIGHT	
MEANS	

DRN. BY	SIGN	DATE	TITLE
CHD. BY			YWF4D-400S-P102/47-G
ENG. BY			PROJECTION
APP. BY			A4 SCALE SHEET: of

REV.	DESCRIPTION	APPROVED	DATE