

SM26/18



SERIES:

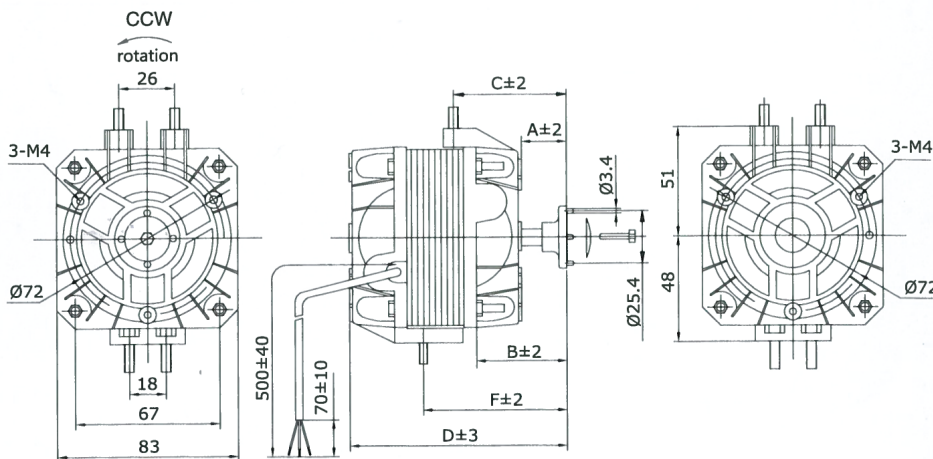
26/18 Series

DESCRIPTION:

Voltage: 100 ~120 V - 50/60Hz
 220 ~240 V - 50/60Hz
 Output power: from 5W to 34W
 Protection: IP 42 (IP44 on request)
 Duty cycle: Continuous operating (S1)
 Insulation Class: B
 Protection Class: Class I
 Operating Temperature: -30°C ~ 50°C
 Bearing Type: Sleeve Bearing
 Life expectancy: 20.000 hours

Technical Drawing

Unit:mm



Output power	A	B	C	D	F
5W	16.5	35.5	46	81	45
6W	16.5	35.5	46	87	51
10W	16.5	35.5	46	87	51
16W	15.5	34.5	45	92	56
18W	15.5	34.5	45	92	56
18W*	18	38	48.5	101	64.5
25W	19	39	49.5	112	75.7
34W	23	43	53.5	121	84.5

Specifications

Model	Rated Voltage	Frequency	Rated Current	Input Power	Output Power	Speed	Air Volume	Fan Blade	Weight
	VAC	Hz	A	W	W	RPM	m ³ /h	mm	Kg
FL-SM5-26/18	220/240	50/60	0.20	29	5	1300	455	Ø 200	0.08
FL-SM6-26/18	110/120	60	0.55	33	6	1550	510	Ø 200	0.08
FL-SM10-26/18	220/240	50/60	0.25	36	10	1300	650	Ø 230	1.1
	110/120	60	0.80	55	10	1550	800		
FL-SM16-26/18	220/240	50/60	0.45	60	16	1300	760	Ø 254	1.4
FL-SM18-26/18	110/120	60	1.01	70	18	1550	940	Ø 254	1.4
FL-SM18-26/18*	220/240	50/60	0.50	70	18	1300	1000	Ø 254	1.5
FL-SM25-26/18	220/240	50/60	0.70	90	25	1300	1030	Ø 300	1.8
FL-SM34-26/18	220/240	50/60	0.85	110	34	1300	1210	Ø 300	2.0

1. Specifications might change without notice;

2. Special design on request